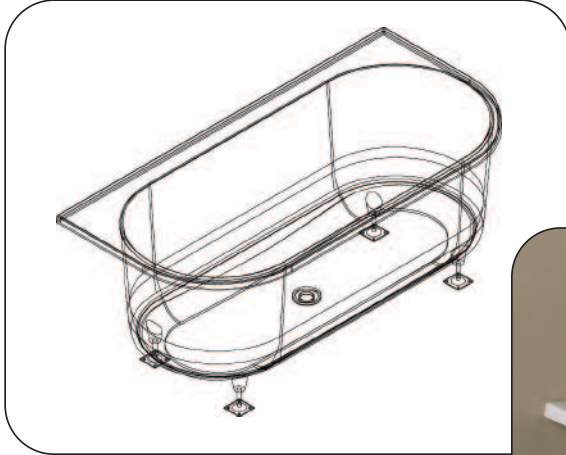


Nice

NIC-N-BI
NIC-N-FS

Superdeep dual ended soaking tub drop-in, undermount or freestanding



< NIC-N-BI
Drop-in or undermount



NIC-N-FS >
Freestanding with base

- 100% ENGLISHCAST™
- unique solid surface casting, two pieces, tub and base
- Faucets can be deck mounted. To help meet exact fitting requirements of a wide range of deck mounted faucets, ENGLISHCAST™ can be drilled on site.
- Almost 19" deep - 96 gallons
- Available in white only
- Can be used as a drop-in tub or undermount tub without base
- Exterior can be painted

Options To Be Specified - Required

- Freestanding with base NIC-N-FS (ship codes NIC-N-SW + FT-ANTB-SW)
- Drop-in or undermount NIC-N-BI (ship codes NIC-N-SW + FT-ANT-BI)
- Any MOD-TT or MOD-LT Victoria & Albert® drain. See drains page for options.



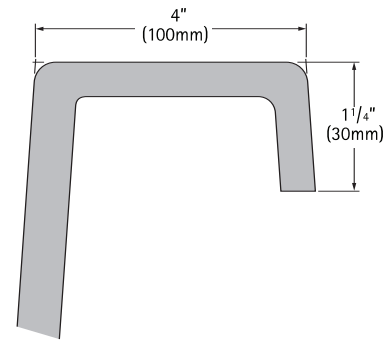
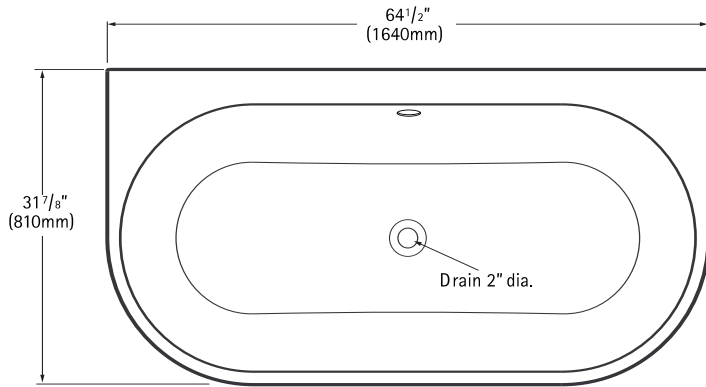
Compliance Certification: See 'Material Specification' Sheet
See back for product specifications



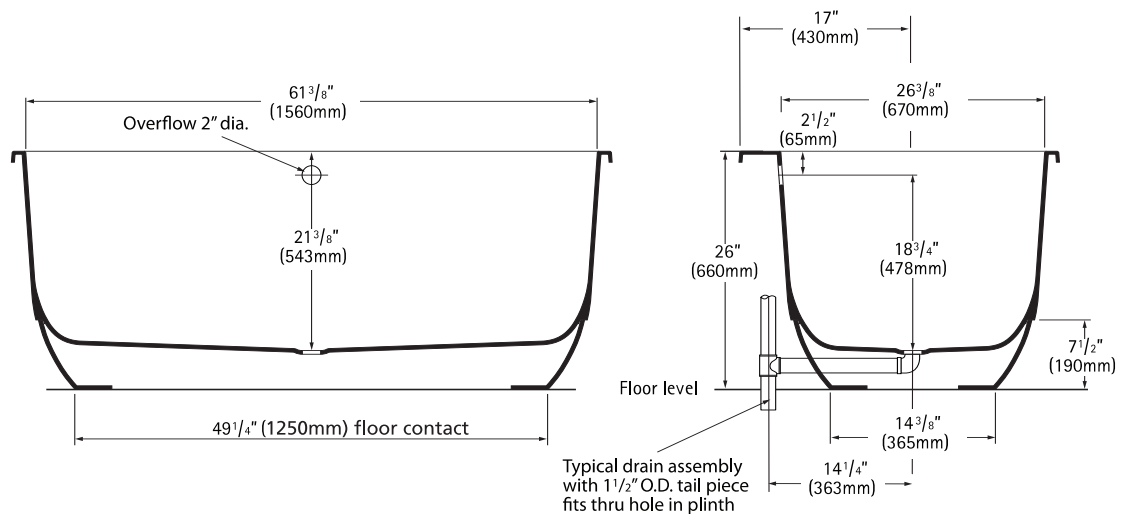
Nice

NIC-N-BI
NIC-N-FS

Superdeep dual ended soaking tub drop-in, undermount or freestanding



Back Rim Section
(for deck mounting faucets)



General specifications for Nice tub

Installed size	64-1/2" x 32" x 26"
Weight	158 lbs. (72 kg)
Weight with water	959 lbs. (435 kg)
Gallons to overflow	96 gallons (363 l.)
Bathing well at sump	55" x 20"
Bathing well at rim	61-1/2" x 26-1/2"
Water depth to overflow	18-3/4"
Carton shipping weight	214 lbs. / 44 cu ft

Notes

Refer to installation instructions supplied with tub for additional information. This tub has been specifically designed to be used as a drop-in tub without the base. Faucet and drain assembly not included. Drain can be ordered separately.

Important

Dimensions of fixtures are nominal and may vary within the range of tolerances established by ANSI standard A112.19.4M

The measurements are subject to change or cancellation, no responsibility is assumed for use of superseded or void leaflet.