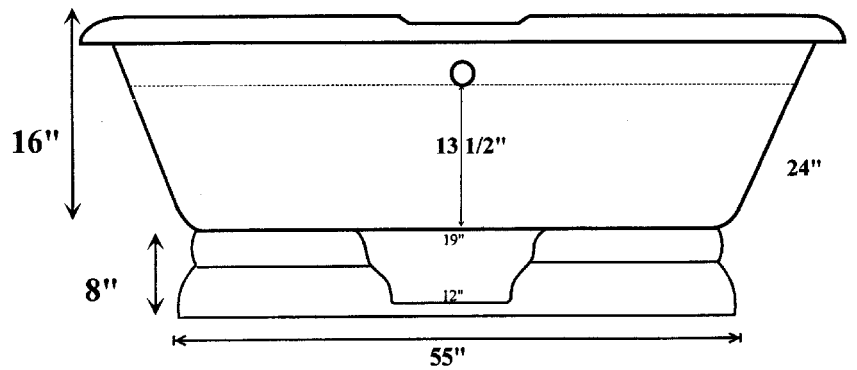
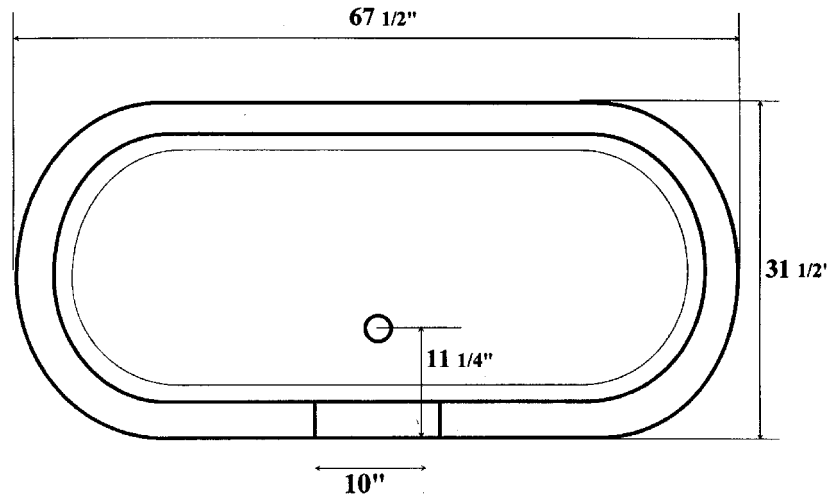


VINTAGE BATH LOS ALTOS

650 948.3147

FAX 650 948.3454

EUROPEAN DUAL PEDESTAL BATH



61" X 31" 50 GAL.
68" X 31" 54 GAL.

DRILLED WITH 8" CC ON 12" DECK, CUSTOM DRILLED, OR PROVIDED WITH A FULL RIM WASTE IN FLOOR IS 1 1/2" IN FROM OUTER EDGE OF TUB

EXTERIOR IS PRIMED WITH EPOXY THEN FINISHED WITH A HIGH GLOSS URETHANE. TUBS SHOULD BE ORDERED PRIMED ONLY FOR CUSTOM PAINTING