

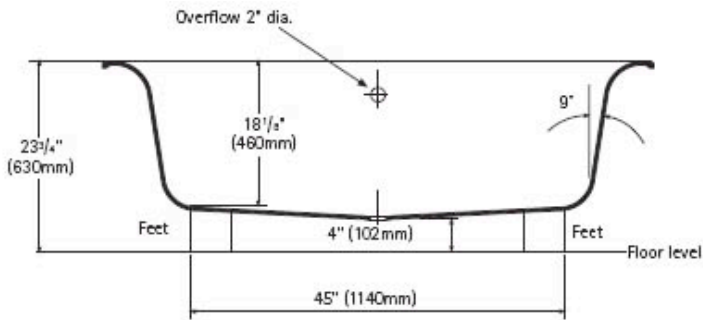
VINTAGE BATH

LOS ALTOS

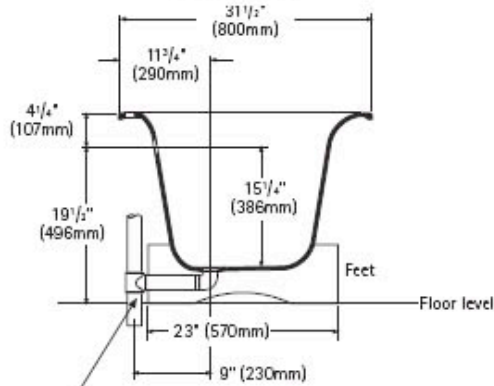
650 948.3147

FAX 650 948.3454

STELLA TUB



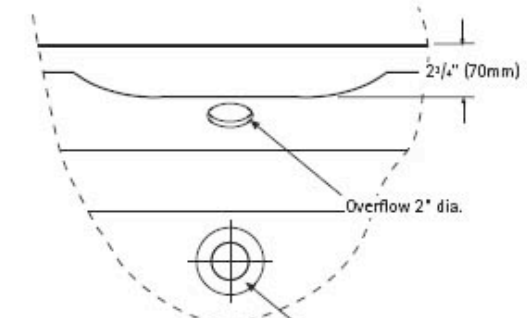
Sections



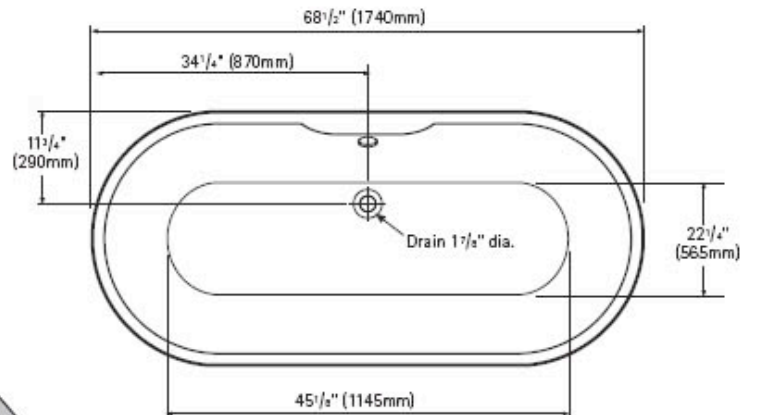
Typical drain assembly with 1 1/2" O.D. tail piece



Typical Rim Section



Close up plan showing faucet holes



Plan

MADE OF AN ACRYLIC AND QUARTZ COMPOUND
FREESTANDING TUB WITH SKIRTED DESIGN

68" L x 31" W x 23" H
WATER DEPTH: 15" D
63 GALLONS TO OVERFLOW