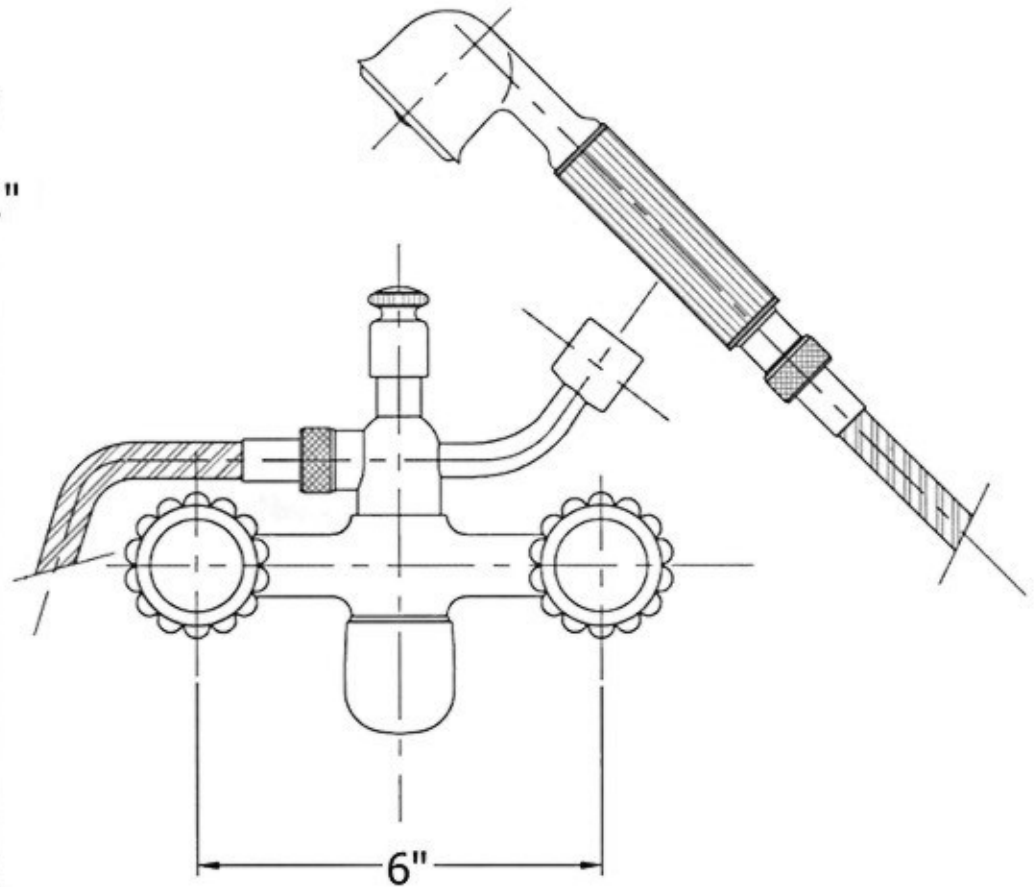
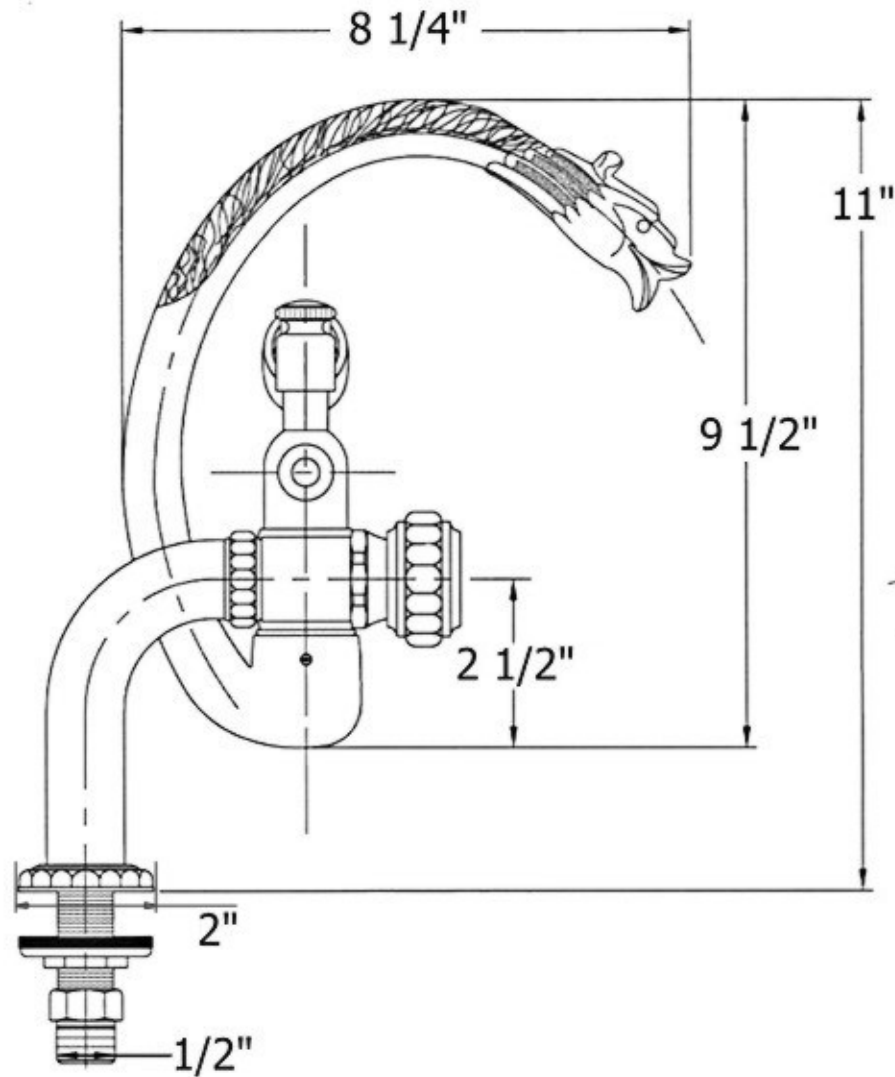


2236 - 'Pompadour' Deck Mounted Tub Filler



Hole Drilling = $1 \frac{1}{4}$ "