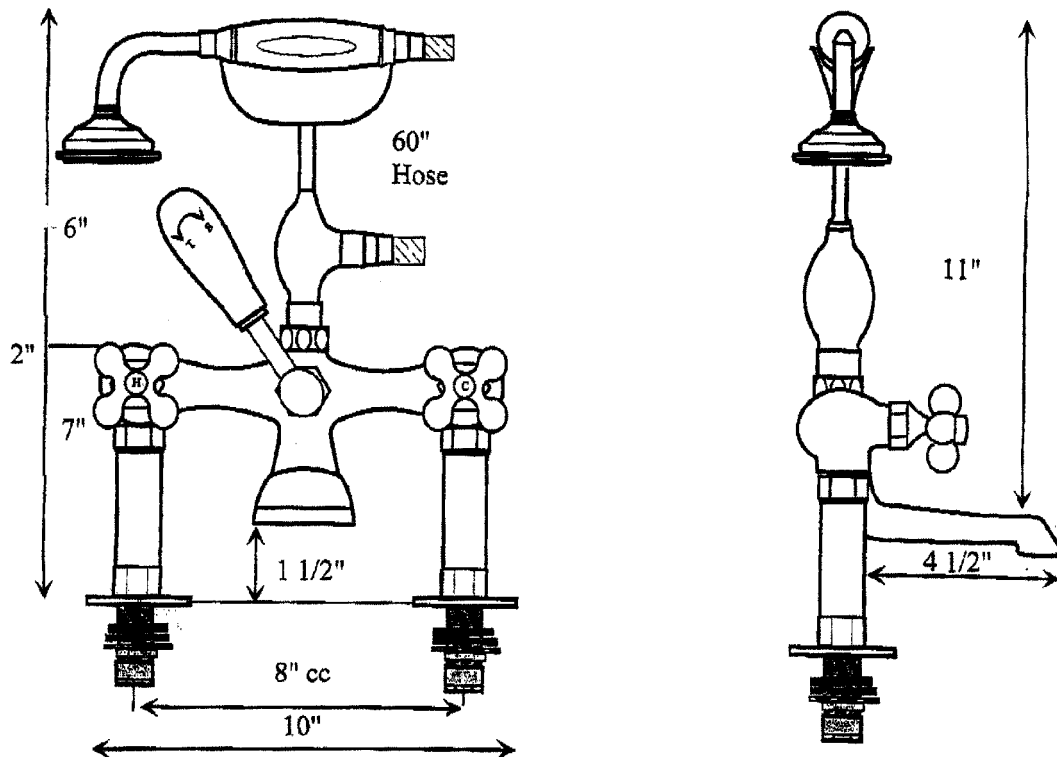


VINTAGE BATH LOS ALTOS

650 948.3147

FAX 650 948.3454

EDWARDIAN TUBFILL WITH HANDSHOWER: DECK MOUNTED



DIVERTER AVAILABLE AS CROSS HANDLE

1/2" IPS NIPPLES

INCLUDES INTEGRAL BACKFLOW PREVENTION

60" HOSE

IAPMO ASME A112.18.1-2003 LISTED

IF PRESSURE BALANCE VALVE IS NEEDED ONE MUST BE INSTALLED IN-LINE

AVAILABLE FINISHES:

UNPROTECTED BRASS

BRASS

CHROME

POLISHED NICKEL

SATIN NICKEL